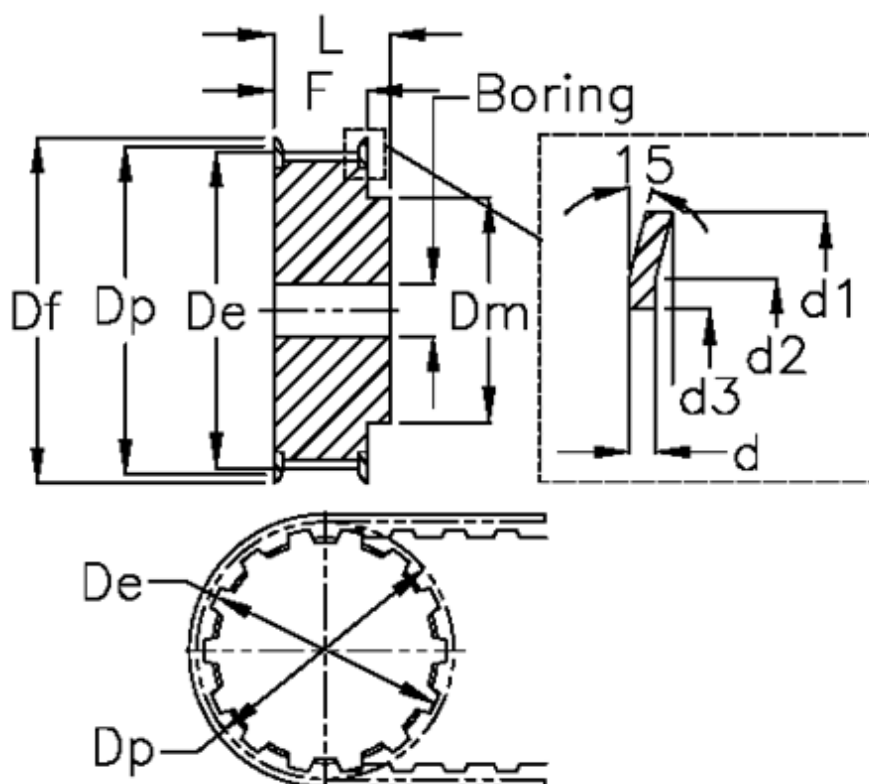


Article number: 604146012037

Description: Timing belt pulley with hub  
12 XL 037

## Measures



$d = 1$	$F = 14.3$	Width = XL 037
$d_1 = 25$	Flange type = F08	
$d_2 = 21.5$	$L = 19.8$	
$d_3 = 15$	Max bore = 7.9	
$D_e = 18.9$	Pitch = 1/5"	
$D_f = 25$	Pre-drilled = 4	
$D_m = 12.7$	Tooth number = 12	
$D_p = 19.4$	Weight = 0.03	